

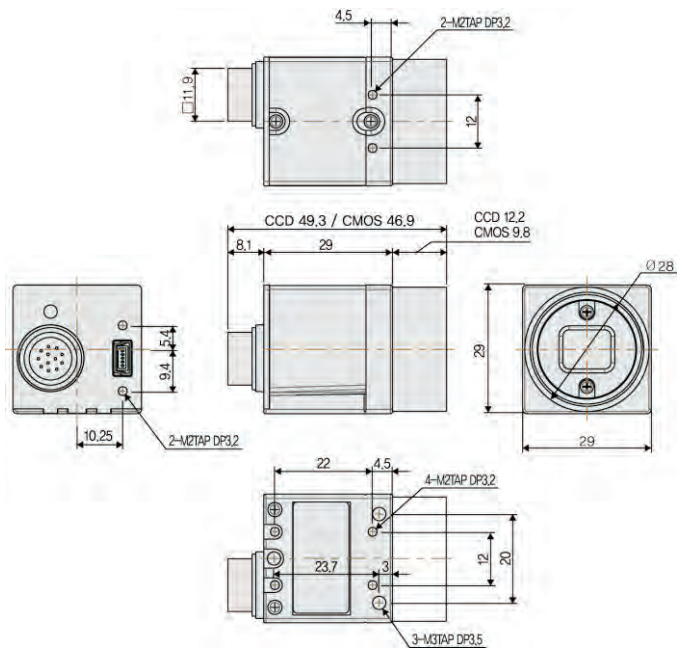
## USB2.0 Cameras



### Key Features

Mini-size CCD/ CMOS USB 2.0 Camera  
 HALCON, Labview, Mil  
 Camera Standard  
 - Genlcam  
 Plug & Play  
 Trigger input range : +5V~24V(Photo coupler)

### Dimension (Unit : mm)



### Pin map

12pin Connector

Pin No.	Name	IN/OUT	Remark
1	Strobe-	GND1	
2	Power	IN	USB Bus+5Vdc
3	GND	IN	
4	NC	-	
5	USB D-	IN/OUT	
6	USB D+	IN/OUT	
7	GND	IN	
8	Trigger+	IN	Isolation (50V)
9	Trigger-	GND2	
10	Strobe+	OUT	
11	GND	IN	Open Collector
12	GND	IN	



### Download (File name)

ex) SDK download:

CREVIS Site Search window File name

SDK : MCamU\_Basic.zip

Model (Mono)	MV-BX30U
Sensor size	1/3"
Image Sensor	CCD
Resolution	1024 x 768
Pixel size (μm)	4.65 x 4.65
Frame Rate (Max.)	30fps
Scanning method	Vertical / Binning (Horizontal+Vertical)
Synchronization	Internal(Freerun), External Trigger, Software via PC
Trigger Modes	Timed, Trigger width
Shutter	Global
Shutter Speed	30μs~1/Acquisition Frame Rate
Pixel Data Formats	Mono : Mono8, Mono10, Mono12, Mono14
Gain	0dB ~ 12.2dB
Gamma	1, 0.45, 0.7, LUT
Exposure Control	Programmable via the camera API, External trigger signal
Interface	USB 2.0
Lens Mount	C mount
Weight	< 44g
Dimension	29 x 29 x 29 mm (without mount)
Temperature	0℃ ~ 40℃ / -10℃ ~ 50℃ (with < 20~80% RH) (Storage)
Vibration / Shock	98m/s <sup>2</sup> (10G) / 490m/s <sup>2</sup> (50G)
Power consumption	< 1.5W
Power Requirements	+5V Via USB Cable (Mini B or Circular 12pin)
Conformity	CE, RoHS
Warranty	3 years

Model (Mono) (Color)	MV-BS30U-C MV-CS30U-C
Sensor size	1/3"
Image Sensor	CCD
Resolution	1280 x 960
Pixel size (μm)	3.75 x 3.75
Frame Rate (Max.)	25fps
Scanning method	Vertica / Binning (Horizontal+Vertical)
Synchronization	Internal(Freerun), External Trigger, Software via PC
Trigger Modes	Timed, Trigger width
Shutter	Global
Shutter Speed	11.5us ~ 32.7sec
Pixel Data Formats	Mono : Mono8, Mono10, Mono12, Mono14
Gain	0dB ~ 12.2dB
Gamma	1, 0.45, 0.7, LUT
Exposure Control	Programmable via the camera API, External trigger signal
Interface	USB 2.0
Lens Mount	C mount
Weight	< 44g
Dimension	29 x 29 x 29 mm (without mount)
Temperature	0℃ ~ 40℃ / -10℃ ~ 50℃ (with < 20~80% RH) (Storage)
Vibration / Shock	98m/s <sup>2</sup> (10G) / 490m/s <sup>2</sup> (50G)
Power consumption	< 1.65W
Power Requirements	+5V Via USB Cable (Mini B or Circular 12pin)
Conformity	CE, RoHS
Warranty	3 years

Model (Mono)	MV-BW35U
(Color)	MV-CW35U
Sensor size	1/3"
Image sensor	CMOS
Resolution	752 x 480
Pixel size (μm)	6.0 x 6.0
Frame Rate (Max.)	60fps
Scanning method	Vertical, Horizontal / Binning (Only Mono Models)
Synchronization	Freerun, Software Trigger, External Trigger
Trigger modes	Timed
Shutter	Global
Shutter speed	100μs~16.6ms
Pixel data formats	Mono8/10 Mono8, RGB8packed, Bayer8
Gain	0dB ~ 12dB
Gamma	1, 0.45, 0.7, LUT
Exposure control	Programmable via the camera API, External trigger signal
Interface	USB 2.0
Lens mount	C mount
Weight	< 46g
Dimension	29 x 29 x 29 mm (without mount)
Temperature	0℃ ~ 45℃ (Operating) / -20℃ ~ 60℃ (with<20~80%RH) (Storage)
Vibration / Shock	98m/s <sup>2</sup> (10G) / 490m/s <sup>2</sup> (50G)
Power consumption	< 0.8W
Power requirements	+5V Via USB Cable (Mini B or Circular 12pin)
Conformity	CE, RoHS
Warranty	3 years