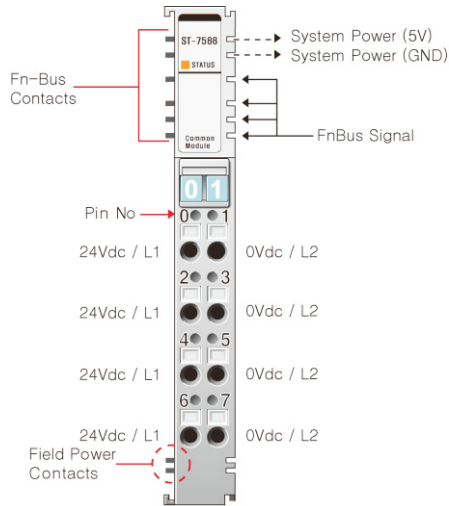


ST-7588

Common, 8 Channels, 0Vdc and 24Vdc, ID Type

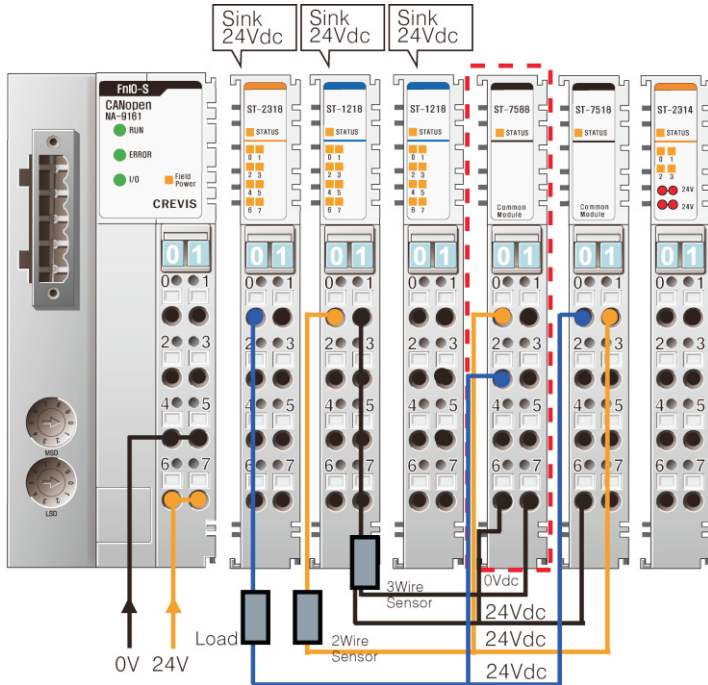


Item		ST-7588
Input Specification		
Field Power Voltage		24Vdc, 0Vdc
Contacts Current		Max. 10A
Indicators		1 Green/Red LED, Module Status
Output Specification		
System Power Dissipation		Max. 18mA @5Vdc
Wiring		I/O Cable Max. 2.0mm ² (AWG#14)
Weight		65g Max.
Module Size		12mm x 99mm x 70mm
Environment Condition		Refer to "Environment Specification"(page : 1-191)
Pin No.		Description
0		24 Vdc / L1
1		0 Vdc / L2
2		24 Vdc / L1
3		0 Vdc / L2
4		24 Vdc / L1
5		0 Vdc / L2
6		24 Vdc / L1
7		0 Vdc / L2
-		-
-		-
-		-
-		-
-		-
-		-
-		-
-		-
-		-
-		-
-		-
-		-
-		-
-		-
-		-
-		-
-		-
-		-
-		-
-		-
-		-
-		-
-		-
-		-
-		-
-		-
-		-
-		-
-		-
-		-
-		-
-		-
-		-
-		-
-		-
-		-
-		-
-		-
-		-
-		-
-		-
-		-
-		-
-		-
-		-
-		-
-		-
-		-

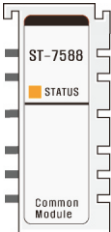
Power Module

Example :

If you have a setup where an external device near the FnIO module needs 24Vdc of power, you can simply use the ST-7588 as a common module.



Status LED



Status	STATUS LED is	Indicates
Not Power	OFF	Device has no expansion Module or May Not is Power.
No Initialized		The Parameter is not initialized yet
Fn-Bus Connection	Green	Fn-Bus Normal Operation
Fn-Bus Ready	Flashing Green	Fn-Bus Ready
Fn-Bus Fault	Flashing Red	Fn-Bus failed Communication
Device Fault	Red	Device Fault