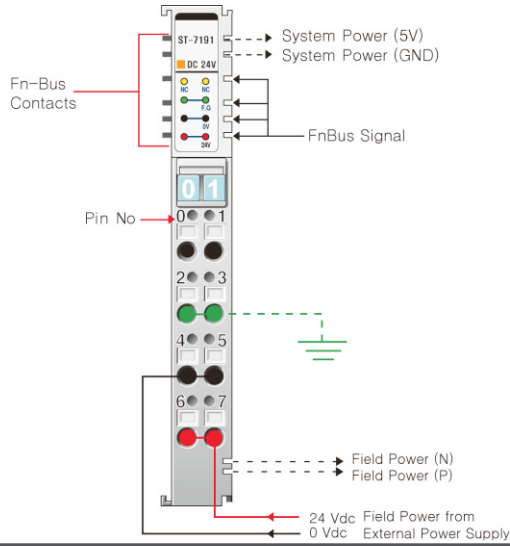


ST-7191

Field Distributor, 1 Channel, 24Vdc



Item		ST-7191
Input Specification		
Field Power Voltage	24Vdc	
Contacts Current	Max. 10A	
Indicators	1 Green Power State	
Led Indicator Threshold	16 ~ 20V	
Protection	Reverse Voltage	
Operating Temperature	-20 to +60°C	
Storage Temperature	-45 to +85°C	
Output Specification		
Isolation	Field Power to System Power : Photocoupler Isolation	
Wiring	I/O Cable Max. 2.0mm (AWG#14)	
Weight	70g	
Module Size	12mm x 99mm x 70mm	
Environment Condition	Refer to " Environment Specification"(page : 1-191)	
Pin No.	Description	
0	No Connection	
1	No Connection	
2	Field Ground	
3	Field Ground	
4	Field Power (N)	
5	Field Power (N)	
6	Field Power (P)	
7	Field Power (P)	
-	-	
-	-	
-	-	
-	-	
-	-	
-	-	
-	-	
-	-	
-	-	
-	-	
-	-	
-	-	
-	-	
-	-	
-	-	
-	-	
-	-	
-	-	
-	-	
-	-	
-	-	
-	-	
-	-	
-	-	
-	-	
-	-	
-	-	
-	-	