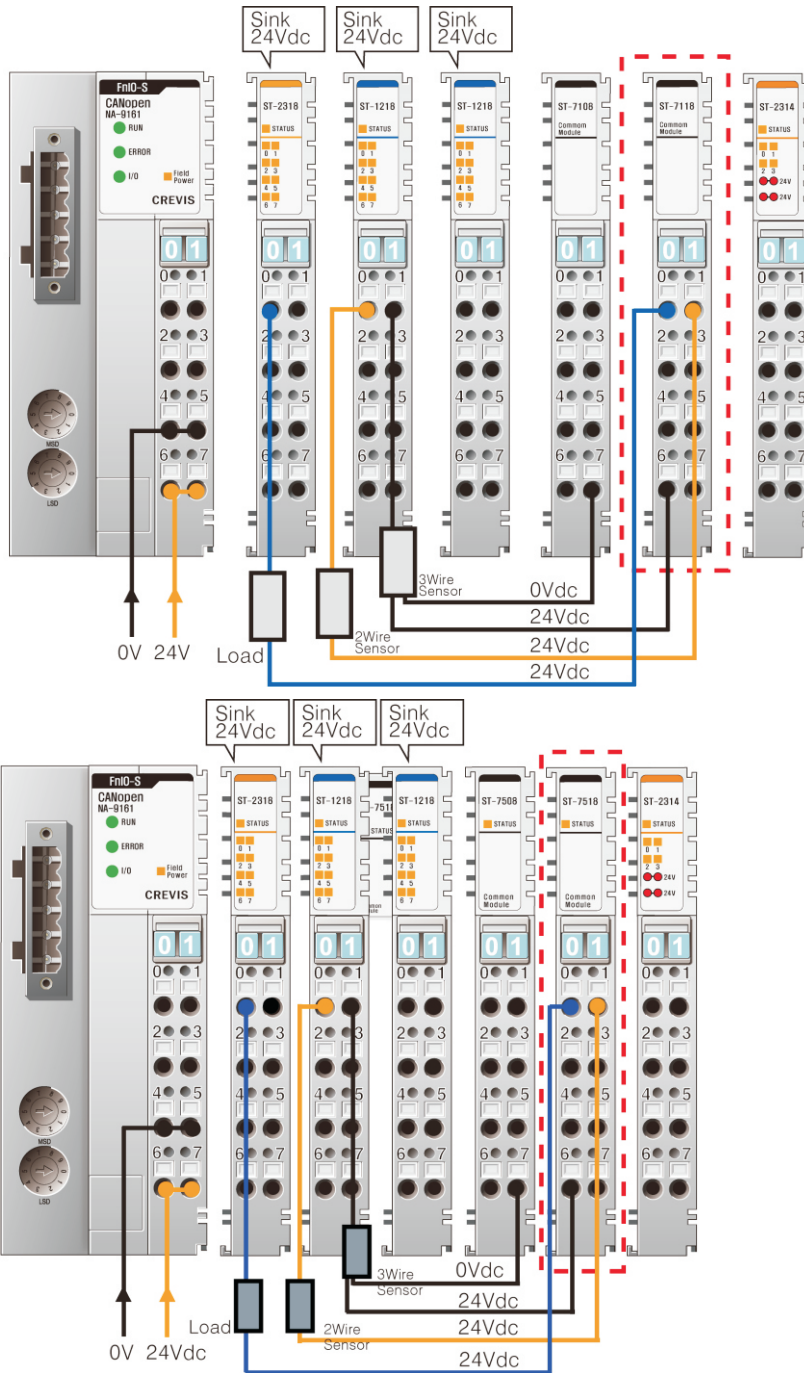


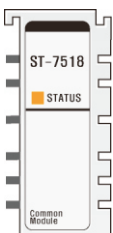
Power Module

Example :

The ST-7118, ST-7518 provides 24Vdc of power. If you have a setup where an external device near the FnIO module needs 24Vdc of power, you can simply use the ST-7118, ST-7518 as a common module.



Status LED



Status	STATUS LED is	Indicates
Not Power	OFF	Device has no expansion Module or May Not is Power.
No Initialized		The Parameter is not initialized yet
Fn-Bus Connection	Green	Fn-Bus Normal Operation
Fn-Bus Ready	Flashing Green	Fn-Bus Ready
Fn-Bus Fault	Flashing Red	Fn-Bus failed Communication
Device Fault	Red	Device Fault