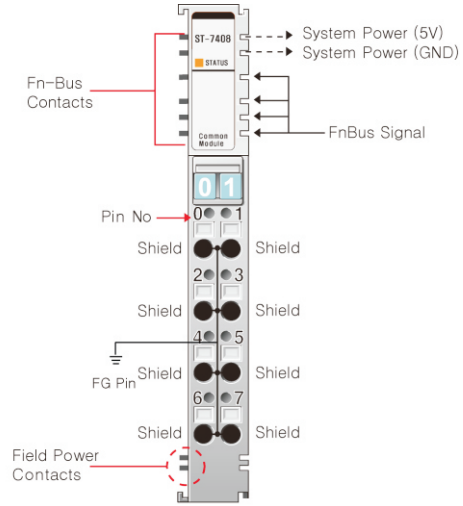
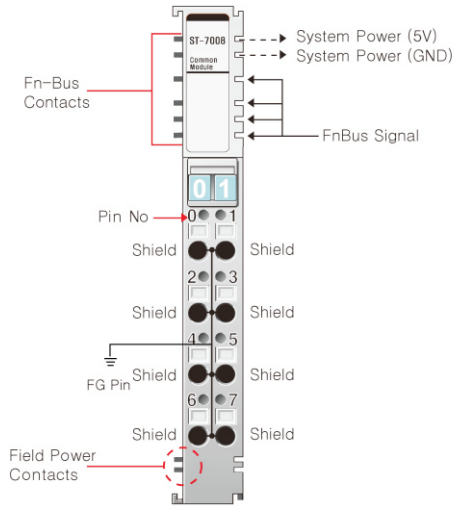


ST-7008, ST-7408

Shield, 8 Channels, (ST-7008) 8 Channels, ID Type (ST-7408)

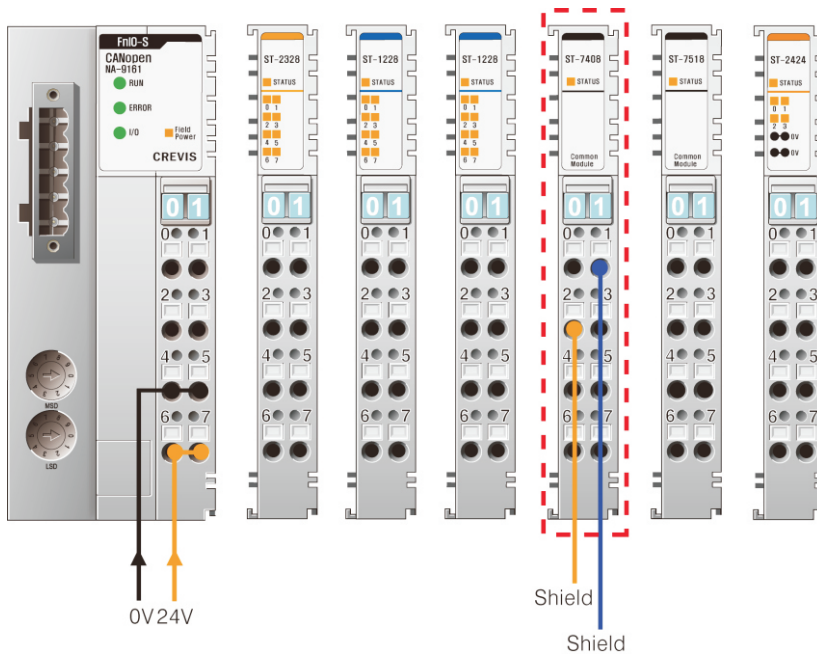
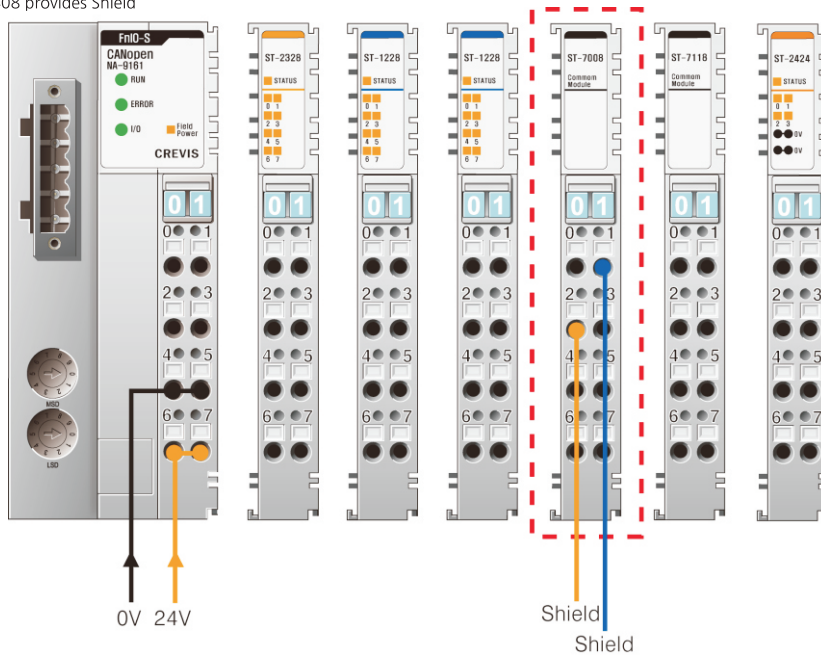


Item	ST-7008	ST-7408
Input Specification		
Field Power Voltage	Shield signal	
Contacts Current	Max. 10A	-
Indicators	N/A	1 Green/Red LED, Module Status
Field Power Contacts Current	-	Max. 10A
Fn-Bus Power Contactor	Yes	
Operating Temperature	-20 to +60°C	-
Storage Temperature	-45 to +85°C	-
Output Specification		
Power Dissipation	Expansion Power Distributor	
System Power Dissipation	-	Max. 18mA @5Vdc
Wiring	I/O Cable Max. 2.0mm ² (AWG#14)	
Weight	65g Max.	70g Max.
Module Size	12mm x 99mm x 70mm	
Environment Condition	Refer to " Environment Specification"(page : 1-191)	
Pin No.	Description	Description
0	Shield	Shield
1	Shield	Shield
2	Shield	Shield
3	Shield	Shield
4	Shield	Shield
5	Shield	Shield
6	Shield	Shield
7	Shield	Shield
-	-	-
-	-	-
-	-	-
-	-	-
-	-	-
-	-	-
-	-	-
-	-	-
-	-	-
-	-	-
-	-	-
-	-	-
-	-	-
-	-	-
-	-	-
-	-	-
-	-	-
-	-	-
-	-	-

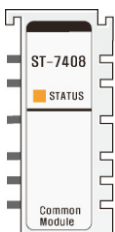
Power Module

Example :

The ST-7008, ST-7408 provides Shield



Status LED



Status	STATUS LED is	Indicates
Not Power	OFF	Device has no expansion Module or May Not is Power.
No Initialized		The Parameter is not initialized yet
Fn-Bus Connection	Green	Fn-Bus Normal Operation
Fn-Bus Ready	Flashing Green	Fn-Bus Ready
Fn-Bus Fault	Flashing Red	Fn-Bus failed Communication
Device Fault	Red	Device Fault