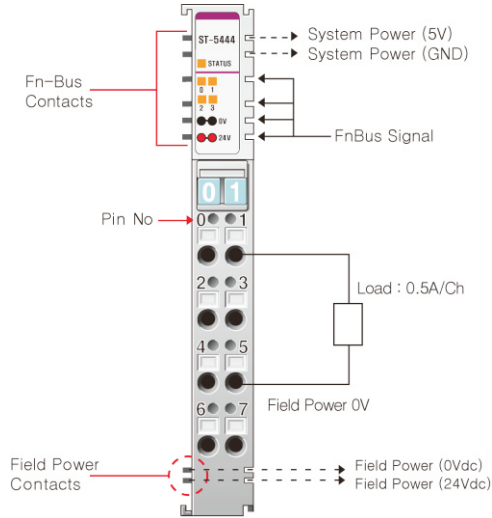


ST-5444

PWM, 4 Channels Output, 1.5A/24Vdc, Source



Item	ST-5444
Output Specification	
Number of Outputs	4 Channels, Source Type
Indicators	1 Green/Red Fn-Bus Status 4 Channel LEDs
Output Current	0.5A/Ch, 2A/All Channel, Short protection
Output Inrush Current	Max. 1.5A, 100ms / Ch
PWM Frequency	1 ~ 2500Hz± 0.5%
PWM Duty	0.0 ~ 100.0%± 1.0% (0.1% / 1LSB), Ton>5us, Toff>5us
Diagnostic	Short Protection
Common Type	2 Common
General Specification	
Power Dissipation	Max. 150mA @5.0Vdc
Isolation	I/O to Logic : Photocoupler Isolation I/O to Field Power : Non-Isolation
Field Power	Supply Voltage : 24 Vdc nominal Voltage Range : 18 ~ 28.8Vdc Power Dissipation : Max. 50mA @ 24Vdc except Load
Wiring	I/O Cable Max. 2.0m (AWG#14)
Weight	70g
Module Size	12mm x 99mm x 70mm
Environment Condition	Refer to "Environment Specification"(page : 1-191)
Pin No.	Description
0	PWM Output Channel#0
1	PWM Output Channel#1
2	PWM Output Channel#2
3	PWM Output Channel#3
4	Field Power 0V, Common
5	Field Power 0V, Common
6	Field Power 24V
7	Field Power 24V
-	-
-	-
-	-
-	-
-	-
-	-
-	-
-	-
-	-
-	-
-	-
-	-
-	-
-	-
-	-
-	-
-	-
-	-