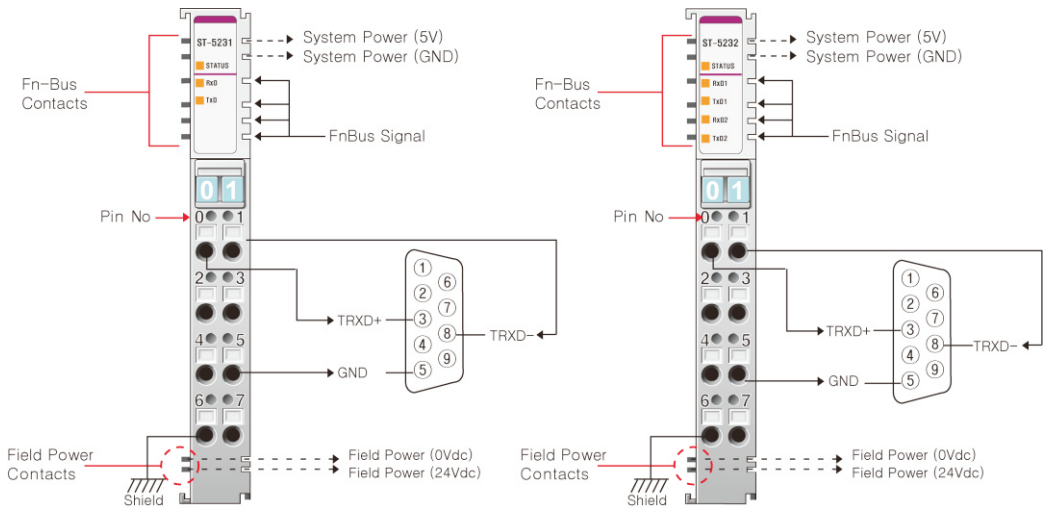


# ST-5231, ST-5232

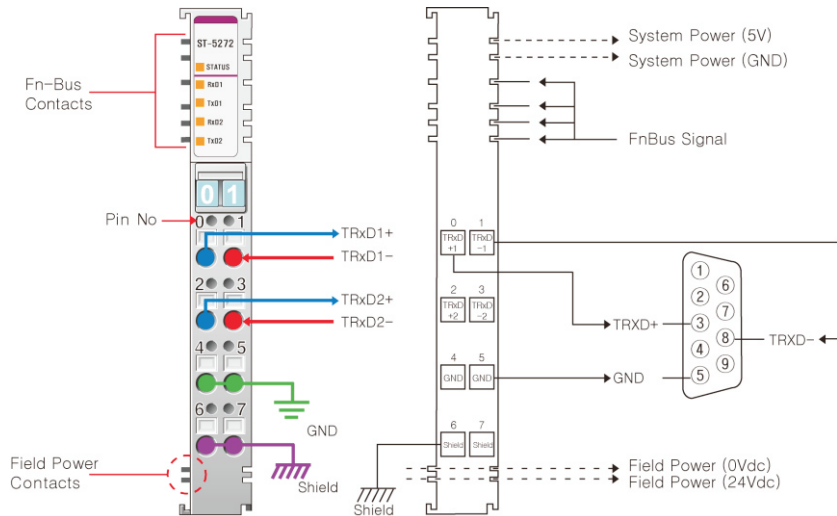
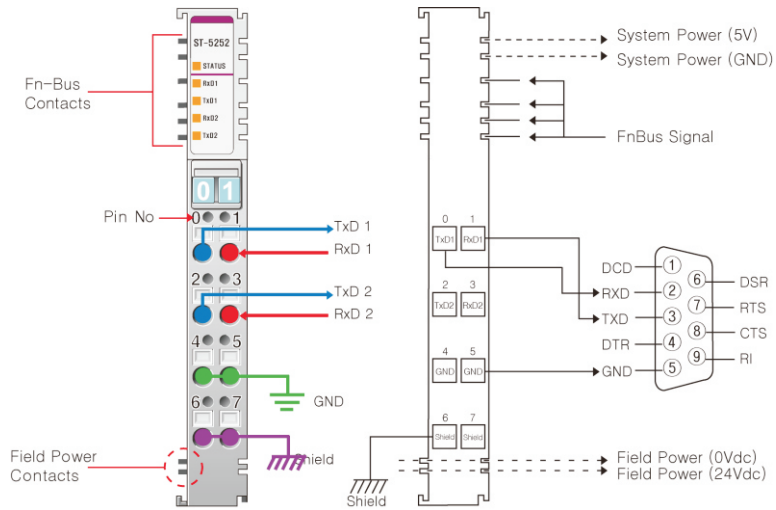
## Serial Interface, RS485 Communication, 1 Channel (ST-5231) 2 Channels (ST-5232)



Item	ST-5231	ST-5232				
<b>Interface Specification</b>						
Transfer Channels	TxD, RxD, Half duplex					
Transfer Rate	300 ~ 115200					
Data Bit	7 bit, 8 bit					
Parity Bit	None, Odd, Even					
Stop Bit	1 bit, 2 bit					
Flow Control	RTS, CTS	-				
Bit Distortion	<1.6%					
Connection	Spring force of RTB					
Cable Length	1 km twisted pair					
Low Signal Voltage	-					
High Signal Voltage	-					
Isolation	Isolation Voltage : 1000Vrms/Vac					
RxD Buffer	1024 Byte					
TxD Buffer	256 Byte					
Line Impedance	120Ω					
Input Image Size	6 Byte	12 Byte				
Output Image Size	6 Byte	12 Byte				
<b>General Specification</b>						
Power Dissipation (System)	110mA max @5.0Vdc	155mA max @5.0Vdc				
Operating Temperature	-20°C ~ 55°C					
Non-Operation Temperature	-40°C ~ 85°C					
Relative Humidity	5% ~ 95% Non-condensing					
Operating Altitude	2000m					
Shock Operating	30g					
Shock Non-Operating	50g					
Vibration	2g@10-500Hz					
Module Size	12mm x 99mm x 70mm					
Environment Condition	Refer to " Environment Specification"(page : 1-191)					
Pin No.	Description	Description				
0	RS 485 +	RS 485 + Channel #0				
1	RS 485 -	RS 485 - Channel #0				
2	No Connected	RS 485 + Channel #1				
3	No Connected	RS 485 - Channel #1				
4	GND	GND				
5	GND	GND				
6	SHIELD	SHIELD				
7	SHIELD	SHIELD				
	LED NAME	COLOR	STATUS	LED NAME	COLOR	STATUS
	RxD	Green	Received Data	RxD 1	Green	Received Data #0
	TxD	Green	Transmit Data	TxD 1	Green	Transmit Data#0
	RTS	-	-	RxD 2	Green	Received Data#1
	CTS	-	-	TxD 2	Green	Transmit Data#1

# ST-5252, ST-5272

Serial Interface, RS232 Communication, 2 Channels, Premium Type (ST-5252)  
 Serial Interface, RS485 Communication, 2 Channels, Premium Type (ST-5272)



# Special Module

Item	ST-5252	ST-5272		
<b>Input Specification</b>				
Transfer Channels	TxD, RxD, Full duplex	TxD, RxD, Half duplex		
Transfer Rate	1,200 ~ 115,200bps (*default : 9,600bps)			
Data Bit	7 bit, 8 bit (*default : 8 bit)			
Parity Bit	None, Odd, Even (*default : None)			
Stop Bit	1 bit, 2 bit (*default : 1 bit)			
Bit Distortion	< 1.6%			
Connection	Spring force of RTB			
Cable Length	Max. 15m	1 km twisted pair		
Low Signal Voltage	-18V ~ -3V	-		
High Signal Voltage	+18V ~ +3V-	-		
RxD Buffer	256 byte per channel			
TxD Buffer	256 byte per channel			
Line Impedance	-	120Ω		
Input Image Size	38 Byte			
Output Image Size	38 Byte			
Communication Code	ASC II or Hex (Binary)			
Message Length	Max. 256 bytes (Start and End Character exception)			
Received & Transmit Start	STX, User setting (*default : Disable)			
Received & Transmit Start	CR, CR=User setting (*default : LF), User setting (*default : Disable)			
Timeout	Range : 1~255(dec)/0.1sec ~ 25.5sec	Range : 1~255(dec)/0.1sec ~ 25.5sec If range is 0(dec)/0.1sec ~ 25.5sec If range is 0(dec), disable (*default : Disable)		
<b>General Specification</b>				
Power Dissipation	Max. 110mA @5.0Vdc	Max. 155mA @5.0Vdc		
Isolation	Isolation Voltage : 1000 Vrms/Vac			
Field Power	Supply Voltage : 24Vdc nominal Voltage Range : 18~28.8Vdc Power Dissipation : Max. 50mA @ 24Vdc except Load			
Wiring	I/O Cable Max. 2.0m (AWG#14)			
Weight	70g			
Module Size	12mm x 99mm x 70mm			
Environment Condition	Refer to " Environment Specification"(page : 1-191)			
Pin No.	Description	Description		
0	TxD1 channel#0	RS 485 + Channel #0		
1	RxD1 channel#0	RS 485 - Channel #0		
2	TxD2 channel#1	RS 485 + Channel #1		
3	RxD2 channel#1	RS 485 - Channel #1		
4	GND	GND		
5	GND	GND		
6	SHIELD	SHIELD		
7	SHIELD	SHIELD		
LED NAME	COLOR	STATUS	COLOR	STATUS
RxD1	Green	Received Data#0	Green	Received Data#0
TxD1	Green	Transmit Data#0	Green	Transmit Data#0
RxD2	Green	Received Data#1	Green	Received Data#1
TxD2	Green	Transmit Data#1	Green	Transmit Data#1
-	-	-	-	-
-	-	-	-	-
-	-	-	-	-
-	-	-	-	-
-	-	-	-	-
-	-	-	-	-
-	-	-	-	-
-	-	-	-	-
-	-	-	-	-
-	-	-	-	-
-	-	-	-	-
-	-	-	-	-
-	-	-	-	-
-	-	-	-	-
-	-	-	-	-
-	-	-	-	-
-	-	-	-	-
-	-	-	-	-
-	-	-	-	-
-	-	-	-	-
-	-	-	-	-
-	-	-	-	-
-	-	-	-	-
-	-	-	-	-
-	-	-	-	-