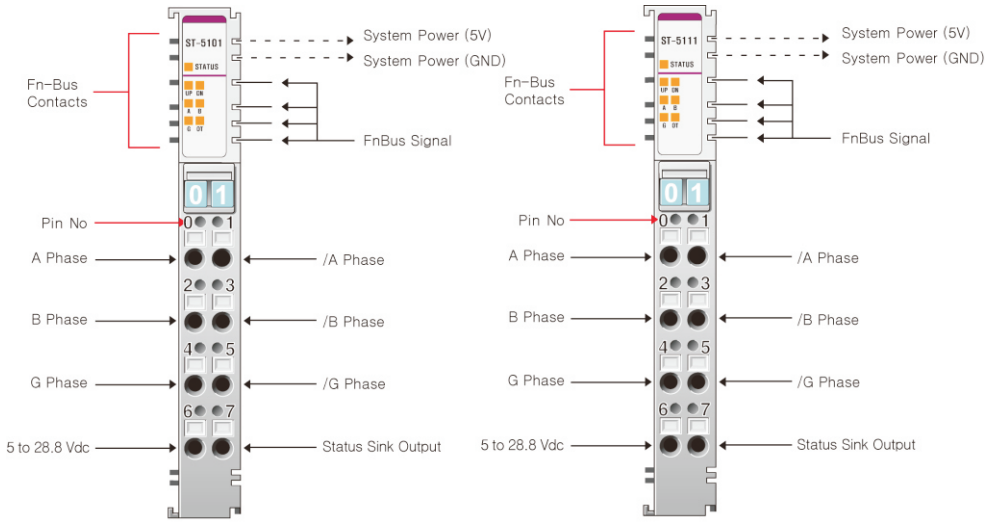
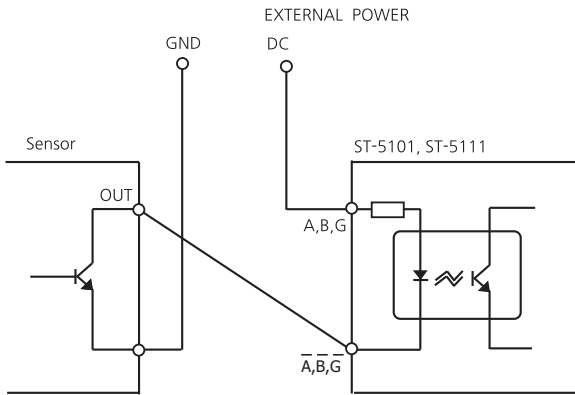


# ST-5101, ST-5111

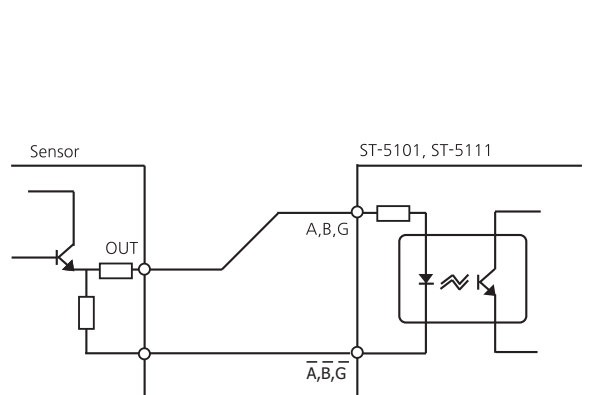
## High Speed Counter, 1 Channel, 5V Input (ST-5101) 1 Channel, 24V Input (ST-5111)



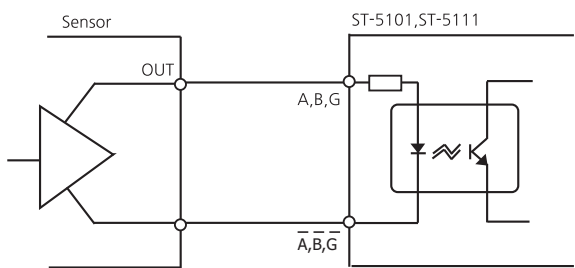
(1) Open Collector



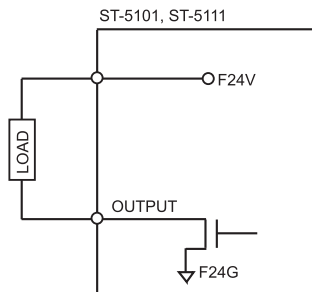
(2) VOLTAGE OUTPUT



(3) LINE DRIVE



(4) SINK OUTPUT (STATUS)



Item	ST-5101	ST-5111
<b>Input Specification</b>		
Number of Channel	1 Channel 0-1 Group of A and / A (or GND) 2-3 Group of B and / B (or GND) 4-5 Group of G and / G (or GND)	
Indicators	1 Green/Red Fn-Bus Status 2 Green Up/Down Status 3 Green Terminal Input LEDs 1 Green Terminal Input LED	
Input voltage (Rated)	5Vdc	24Vdc
Input Current	16.2mA@5vdc	6.1mA@24vdc
Min. On-Status Volt / Current	2.6Vdc / 5mA	12Vdc / 2.9mA
Max. Off-Status	1.25Vdc / 0.25mA	1.8Vdc / 0.15mA
Maximum Input Frequency	Max. 1.5MHz	
Input Duty Range	10% ~ 90%	
Input Filter Selections	Bypass / 1 usec / 5 usec / 10 usec / 50 usec / 100 usec / 500 usec / 1 msec / 5 msec / 10 msec	
Counting Mode	1 Pulse Mode 2 Pulse Mode Encoder x 1 Encoder x 2 Encoder x 4 Period / Rate Mode PWM Output Mode	
Gate Function Mode	Store / Continue Store / Wait / Resume Store-Reset / Wait / Start Store-Reset / Start	
Counter Size	24 bit-wide	
Common	1 Common	
<b>Output Specification</b>		
Channel Type	1 Channel Sink Type	
Output Voltage	5 ~ 28.8 Vdc	
Output Current	0.5A	
Indicator	1 Green Status	
<b>General Specification</b>		
Power Dissipation	80mA@5.0Vdc	
Isolation	I/O to Logic : Photo coupler Isolation	
Field Power	Supply Power : 24 Vdc nominal Voltage Range : 18 ~ 28.8 Vdc Power Dissipation : 20mA@24Vdc	
Wiring	I/O Cable Max. 2.0m (AWG#14)	
Weight	70g	
Module Size	12mm x 99mm x 70mm	
Environment Condition	Operating Temperature : -20°C ~ 55°C Non-Operation Temperature : -40°C ~ 85°C Relative Humidity : 5% ~ 95% non-condensing Operating Altitude : 2000m Shock Operating : 30G Shock Non-Operating : 50G Vibration : 2G@10-500Hz Refer to " Environment Specification"(page : 1-191)	
Pin No.	Description	
0	A Pulse Input	
1	/ APulse Input or GND	
2	B Pulse Input	
3	/ B Pulse Input or GND	
4	G Pulse Input	
5	/ G Pulse Input or GND	
6	F24V	
7	Status Output (Sink)	