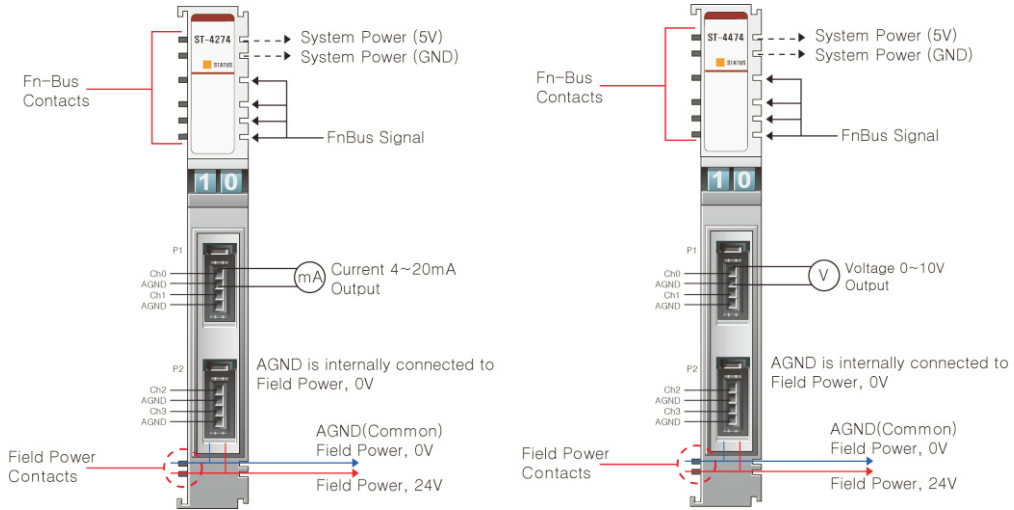


ST-4274, ST-4474

4~20mA, 4 Channels, Current, 12bit, Sensor Connector (ST-4274)
 0~10Vdc, 4 Channels, Voltage, 12bit, Sensor Connector (ST-4474)



Item	ST-4274	ST-4474
Output Specification		
Output Per Module	4 Channels Single Ended	4 Channels Single Ended
Indicators	1 Green/Red Fn-Bus State	
Resolution in Ranges	12Bits :3.91uA/Bit	12Bits :2.44mV/Bit
Output Current Range	4~20mA	0~10Vdc
Data Format	16bits Integer (2' compliment)	
Module Error	±0.1% Full Scale @25℃ ±0.3% Full Scale @-20℃, 60℃ (If the module operates at temp. 60℃ environment, then the total output is limited to 80% (Hex : 0xCCC))	±0.1% Full Scale @25℃ ±0.3% Full Scale @-20℃, 60℃
Load Resistance	Max. 500Ω	Min. 200KΩ
Conversion Time	1.2msec/All channel	
Calibration	Not Required	
Diagnostic	No	
Common Type	Nothing in the module terminal, Field Power 0V is Common(AGND)	
General Specification		
Power Dissipation	Max. 40mA@5.0Vdc, TBD	Max. 60mA@5.0Vdc
Isolation	I/O to Logic : Photocoupler Isolation I/O to Field power : Non-Isolation	
Field Power	Supply Voltage : 24Vdc nominal Voltage Range : 20~26Vdc Power Dissipation : Max.20mA@24Vdc	Supply Voltage : 24Vdc nominal Voltage Range : 20~26Vdc Power Dissipation : Max.80mA@24Vdc
Wiring	3M Mini-Clamp Socket, 4pin, 37204-62A3-004PL Matching Connector : 3M Mini-Clamp Plug, 37104 Series AWG#20~22 available	
Weight	70g	
Module Size	12mm x 99mm x 70mm	
Environment Condition	Refer to " Environment Specification"(page : 1-191)	
P1 Connector (Upper Connector)	Pin No.	Description
	1	Output Channel 0
	2	Field Ground 0V(AGND), Common
	3	Output Channel 1
	4	Field Ground 0V(AGND), Common
P2 Connector (Lower Connector)	Pin No.	Description
	1	Output Channel 2
	2	Field Ground 0V(AGND), Common
	3	Output Channel 3
	4	Field Ground 0V(AGND), Common
	-	-
	-	-