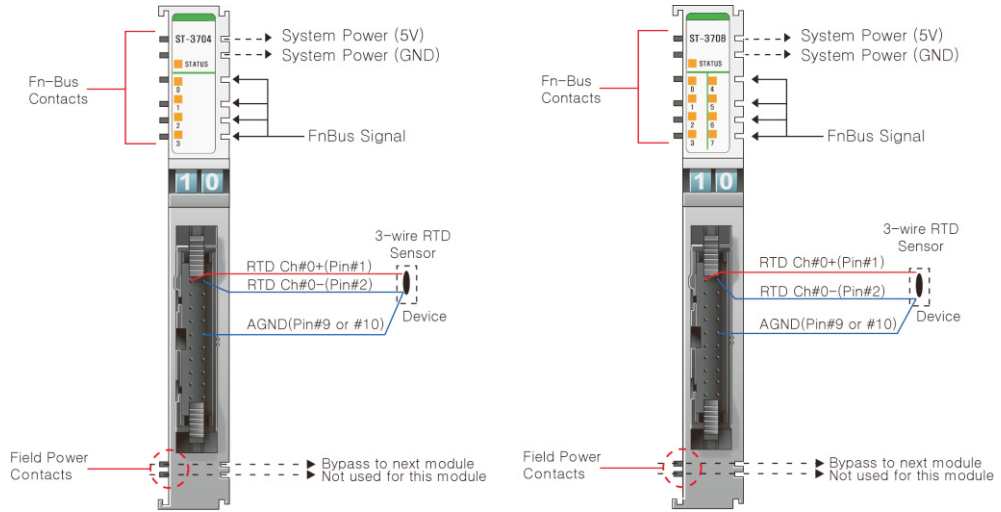


ST-3704, ST-3708

RTD, 4 Channels, Status (ST-3704)
 RTD, 8 Channels, Status (ST-3708)



Item	ST-3704	ST-3708						
Input Specification								
Number of Inputs	4 Channels	8 Channels						
Indicators	1 Green/Red States, 4 Green State	1 Green/Red LED, Module Status, 8 Green LED, Input State						
Sensor Types	RTD Input PT100, PT200, PT500, PT1000, PT50 JPT100, JPT200, JPT500, JPT1000, JPT50 NI100, NI200, NI500, NI1000 NI120, NI1000LG Resistance Input 100mΩ/bit, 10mΩ/bit, 20mΩ/bit, 50mΩ/bit							
Excitation Current	About 1mA							
Conversion Method	3-Wire or 2-Wire							
Conversion Time	30msec/1Channel when Normal Conversion							
Data Format	16bits signed Integer (2's compliment)							
Resolution of Data	±0.1℃ / F, 10mΩ							
Module Accuracy	±0.3% Full Scale @25℃ ±0.5% Full Scale @0℃, 60℃							
Calibration	Not Required							
Diagnostic	Sensor Open or Range Over, then Conversion Data=0x8000(-32768) Except Resistance Input Mode							
Common Type	4 Common/Module							
General Specification								
Power Dissipation	Max. 100mA@5.0Vdc	Max. 110mA@5.0Vdc						
Isolation	I/O to Control Logic : Photocoupler Isolation							
Field power	Not used, Field Power by pass to next expansion module							
Wiring	Connector Type, up to AWG22 Module Connector : HIF3BA-20D-2.54DSA							
Weight	70g							
Module Size	12mm x 99mm x 70mm							
Environment Condition	Refer to " Environment Specification"(page : 1-191)							
	Pin No.	Description	Pin No.	Description	Pin No.	Description	Pin No.	Description
	1	RTD Ch#0+	2	RTD Ch#0-	1	RTD Ch#0+	2	RTD Ch#0-
	3	RTD Ch#1+	4	RTD Ch#1-	3	RTD Ch#1+	4	RTD Ch#1-
	5	RTD Ch#2+	6	RTD Ch#2-	5	RTD Ch#2+	6	RTD Ch#2-
	7	RTD Ch#3+	8	RTD Ch#3-	7	RTD Ch#3+	8	RTD Ch#3-
	9	AGND	10	AGND	9	AGND	10	AGND
	11	-	12	-	11	RTD Ch#4+	12	RTD Ch#4-
	13	-	14	-	13	RTD Ch#5+	14	RTD Ch#5-
	15	-	16	-	15	RTD Ch#6+	16	RTD Ch#6-
	17	-	18	-	17	RTD Ch#7+	18	RTD Ch#7-
	19	AGND	20	AGND	19	AGND	20	AGND
	-	-	-	-	-	-	-	-