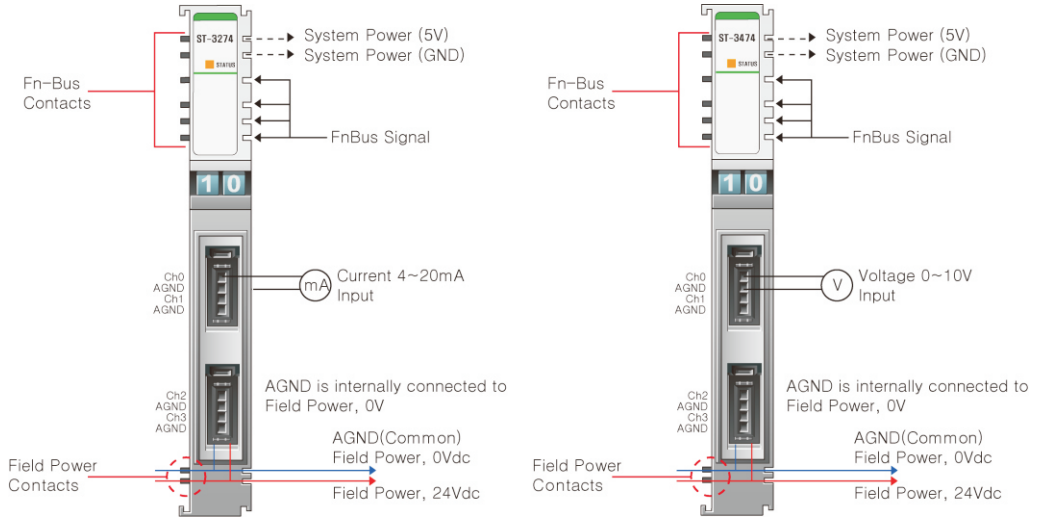


ST-3274, ST-3474

4~20mA, 4 Channels, Current, 12bit, Sensor Connector (ST-3274)
 0~10Vdc, 4 Channels, Voltage, 12bit, Sensor Connector (ST-3474)



Item	ST-3274	ST-3474		
Input Specification				
Number of Inputs	4 Channels Single Ended			
Indicators	1 Green/Red Fn-Bus State			
Resolution in Ranges	12Bits : 3.9uA/Bit	12Bits : 2.44mV/Bit		
Input Current Range	4~20mA	0~10V		
Data Format	16bits Integer (2's compliment)			
Module Error	±0.1% Full Scale @25°C ±0.3% Full Scale @0°C, 60°C			
Input Impedance	120Ω	500KΩ		
Conversion Time	4msec/All channel			
Calibration	Not Required			
Diagnostic	No			
Common Type	Nothing in the module terminal Field Power 0V is common(AGND)			
General Specification				
Power Dissipation	Max. 40mA@5.0Vdc	Max. 80mA@5.0Vdc		
Isolation	I/O to Logic : Photocoupler Isolation Field power : Not Isolation			
Field Power	Supply Voltage : 24Vdc nominal Voltage Range : 20~26Vdc Power Dissipation : Max. 20mA@24Vdc, TBD	Supply Voltage : 24Vdc nominal Voltage Range : 20~26Vdc Power Dissipation : Max. 20mA@24Vdc, TBD		
Wiring	3M Mini-Clamp Socket 4pin, 37204-62A3-004PL Matching Connector : 3M Mini-Clamp Plug, 37104 Series AWG#20~22 available			
Weight	70g			
Module Size	12mm x 99mm x 70mm			
Environment Condition	Refer to " Environment Specification"(page : 1-191)			
P1 Connector (Upper Connector)	Pin No.	Description	Pin No.	Description
	0	Input Channel 0	0	Input Channel 0
	1	Field Power 0V(AGND), Common	1	Field Power 0V(AGND), Common
	2	Input Channel 1	2	Input Channel 1
P2 Connector (Lower Connector)	3	Field Power 0V(AGND), Common	3	Field Power 0V(AGND), Common
	Pin No.	Description	Pin No.	Description
	0	Input Channel 2	0	Input Channel 2
	1	Field Power 0V(AGND), Common	1	Field Power 0V(AGND), Common
	2	Input Channel 3	2	Input Channel 3
	3	Field Power 0V(AGND), Common	3	Field Power 0V(AGND), Common
	-	-	-	-
	-	-	-	-
	-	-	-	-
	-	-	-	-
-	-	-	-	