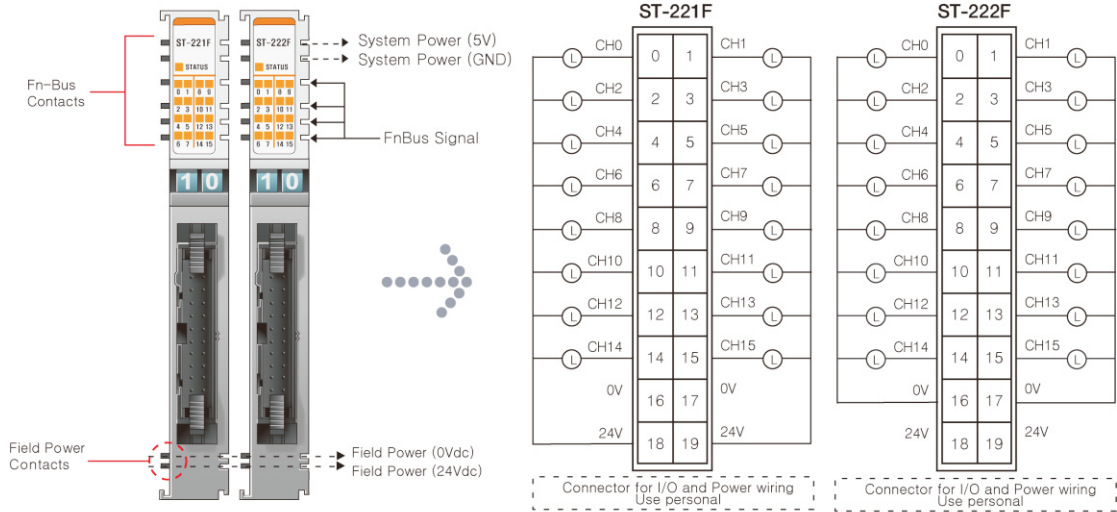


ST-221F, ST-222F

24Vdc/0.1A, 16 Points, Sink(Negative)/Source(Positive), 20P Connector



FniO S-Series Digital Output

Item	ST-221F	ST-222F
Output Specification		
Outputs Per Module	16 Points Sink Type (Negative Logic)	16 Points Source Type (Positive Logic)
Indicators	16 Green Output States, 1 Green/Red Fn-Bus State	
Output Voltage Range	24Vdc nominal, Min. 11Vdc ~ Max. 28.8Vdc	
ON-State Voltage Drop	Max. 0.3Vdc@25°C	
ON-State Min. Current	1mA Per Channel	
OFF-State Leakage Current	Max. 50uA	
Output Signal Delay	OFF to ON : Max. 0.3ms ON to OFF : Max. 0.3ms	
Output Current Rating	Max. 0.5A Per Channel Max. 4.0A All Common	
Output Protection (VNS3NV04D-E)	Over Temperature Shutdown : Min. 150°C Over Current Limit : Min. 3.5A/Max. 7A Per Channel Short Circuit Protection	
	ESD Protection : 16.5Kv	ESD Protection : 5Kv
Common Type	16 Points / 2 COM (Single Common)	
General Specification		
Power Dissipation	Max. 80mA @5.0Vdc	
Isolation	I/O to Logic : Photocoupler Isolation	
Field Power	Supply Voltage : 24Vdc nominal Voltage Range : 11 ~ 28.8Vdc	
	Power Dissipation : 3mA@28.8Vdc Per Channel	Power Dissipation : 5mA@28.8Vdc Per Channel
Wiring	Connector Type	
Weight	70g	
Module Size	12mm x 99mm x 70mm	
Environment Condition	Refer to " Environment Specification"(page : 1-191)	
Pin No.	Description	Description
0	Output Channel 0	Output Channel 0
1	Output Channel 1	Output Channel 1
2	Output Channel 2	Output Channel 3
3	Output Channel 3	Output Channel 4
4	Output Channel 4	Output Channel 5
5	Output Channel 5	Output Channel 6
6	Output Channel 6	Output Channel 7
7	Output Channel 7	Output Channel 8
...
13	Output Channel 13	Output Channel 13
14	Output Channel 14	Output Channel 14
15	Output Channel 15	Output Channel 15
16	Field Ground (0V)	Field Ground (0V)
17	Field Ground (0V)	Field Ground (0V)
18	Field Power (+24Vdc)	Field Power (+24Vdc)
19	Field Power (+24Vdc)	Field Power (+24Vdc)