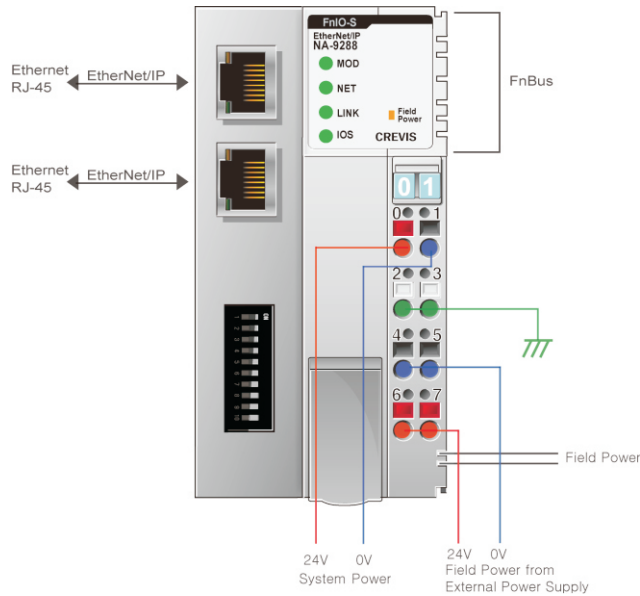


NA-9288

EtherNet/IP Network Adapter, 252 bytes input and 252 bytes output



EtherNet/IP

Item	NA-9288
Interface Specification	
Adapter Type	Slave node
Max. Expansion Module	63 slots
Max. Input Size	252 bytes
Max. Output Size	252 bytes
Interface Connector	RJ-45 socket * 2pcs
Max. Length Bus Line	Up to 199m from Ethernet Hub/Switch
Max. Nodes	Limited by Ethernet Specification
Baud Rate	10/100Mbps, Auto-negotiation, Full duplex
Protocol	EtherNet/IP, HTTP, BOOTP, DHCP
IP-Address Setup	Via BOOTP/DHCP, Dip Switch(Manual Function)
IP-Address range	xxx.xxx.xxx.1 ~ 253 (User area) xxx.xxx.xxx.254 ~ 255 (Reserved for IAP Function)
Other Serial Port	RS232 for MODBUS/RTU(Touch Panel, IOGuide ...)
Serial Configuration (RS232)	Node : 1 (Fixed) Baud Rate : 115200 (Fixed) Data bit : 8 (Fixed) Parity bit : No parity (Fixed) Stop bit : 1 (Fixed)
Indicator	6 LEDs 1 Green/Red, Module Status (MOD) 1 Green/Red, Network Status (NET) 1 Green, Ethernet Link/ Status (LINK) 1 Green/Red, Expansion I/O Module Status (IOS) 1 Green, Field Power Status 2 LEDs (each RJ45 Connector) 1 Green, Link 1 Yellow, Active
Module Location	Left side of S-Series system
Field Power Detection	About 11Vdc
General Specification	
System Power	Supply Voltage : 24Vdc nominal / Supply Voltage Range : 11~28.8Vdc Protection : Output Current Limit (Min 1.5A) / Reverse Polarity Protection
Power Dissipation	120mA typical @ 24Vdc
Current for I/O Module	1.5A @5Vdc
Isolation	System power to internal logic : Non-isolation / System power to I/O driver : Isolation
Field Power	Supply voltage : 24Vdc nominal / Supply voltage range : 11~28.8Vdc
Max. Current Field Power Contact	DC 10A Max.
Weight	167g
Module Size	54mm x 99mm x 70mm
Environment Condition	Refer to " Environment Specification"(page : 1-191)

Network Adapter

LED Indicator

MOD : Module Status LED

Status	LED is	To indicate
No Power	Off	Power is not supplied to the unit.
Device Operational	Green	Device is operating in normal condition.
Device in Standby	Flashing Green	Device needs commissioning due to configuration missing incomplete or incorrect.
Minor Fault	Flashing Red	Recoverable Fault. - EEPROM checksum fault.
Recoverable	Recoverable	The device has an unrecoverable fault. - Memory error or CPU watchdog error.

NET : Network Status LED

Status	LED is	To indicate
Not Powered No IP Address	Off	Device does not have IP address or may not be powered
CIP Connections	Green	Device has an IP address and at least one established connection.
No Connections	Flashing Green	Device has obtained an IP address, but has no established
Connection Time-out	Flashing Red	Connection time out in one or more of the connections the device has.
Duplicate IP Address	Red	Device's IP address is already in use by other node.

LINK : Link Status LED

Status	LED is	To indicate
Not Powered	Off	Device may not be powered or ethernet is not physically connected.
Adapter exchange data	Green	Ethernet is Physically connected.

IOS LED : Internal Bus Status LED

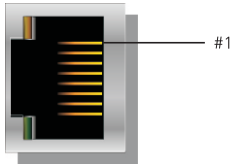
Status	LED is	To indicate
Not Powered Not Expansion Module	Off	Device may not be powered.
Internal Bus Connection, Run Exchanging I/O	Green	Exchanging I/O data.
Internal Bus On-line, Do not Exchanging I/O	Flashing Green	- No expansion module attached - Expansion module is normal but does not exchanging I/O data (passed the expansion module configuration).
Expansion Configuration Failed	Flashing Red	Failed to initialise expansion module - Detect invalid expansion module ID. - Mismatch vendor code between adapter and expansion module.
Internal Bus Connection Fault during Exchanging I/O	Red	One or more expansion module occurred in fault state. - Changed expansion module configuration. - Internal Bus communication failure. - Input/Output size overflow. - Too many expansion module attached. - Initial protocol failure.

Field Power LED : Field Power Status LED

Status	LED is	To indicate
System power off	Off	Module is not supplied with 5Vdc system power.
System power on	Green	Module is supplied 5Vdc system power.

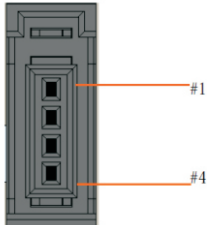
Electrical Interface

RJ-45 Socket



RJ-45	Signal Name	Description
1	TD+	Transmit +
2	TD-	Transmit -
3	RD+	Receive +
4	-	
5	-	
6	RD-	Receive -
7	-	
8	-	
Case	Shield	

RS232 Port for MODBUS/RTU, Touch Panel or IO Guide



RS232 (37204-62A3-004PL/3M)		
Pin#	Signal Name	Description
1	Reserved	-
2	TXD	RS232 TXD
3	RXD	RS232 RXD
4	GND	RS232 GND

Dip Switch



DIP Pole#	Description
1	IP_DIP bit#0
2	IP_DIP bit#1
3	IP_DIP bit#2
4	IP_DIP bit#3
5	IP_DIP bit#4
6	IP_DIP bit#5
7	IP_DIP bit#6
8	IP_DIP bit#7
9	ON : DHCP/BOOTP enabled; OFF : DHCP/BOOTP disabled
10	ON : Use Lowest IP Address with IP_DIP value

Lowest IP Address when DIP Pole#10 = ON
ex) XXX.XXX.XXX.IP_DIP