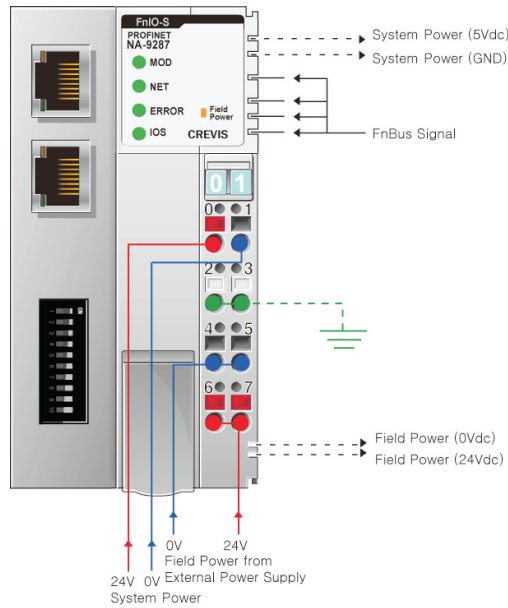


NA-9287

PROFINET I/O RT Protocol Adapter, 252 bytes input and 252 bytes output



Item	NA-9287
Interface Specification	
Adapter Type	Slave node (Profinet)
Max. Expansion Module	32 slots
Max. Data Size	Input size : Max 252 bytes / Output size : Max 252 bytes
Max. Nodes	Limited by Ethernet Specification
Baud rate	100Mbps, Full duplex
Interface Connector	RJ-45 socket * 2pcs
Other Serial Port	RS232 for MODBUS/RTU(Touch Panel, IOGuide ...)
Serial Configuration (RS232)	Node : 1 (Fixed) Baud Rate : 115200 (Fixed) Data bit : 8 (Fixed) Parity bit : No parity (Fixed) Stop bit : 1 (Fixed)
Indicator	5 LEDs 1 Green/Red, Module Status (MOD) 1 Green, Communication Connection (NET) 1 Green, Slot Error (STATUS) 1 Green/Red Expansion Module Status (IOS) 1 Green, Field Power Status
Module Location	Starter module left side of FnIO bus system
Field Power Detection	About 11Vdc
General Specification	
System Power	Supply Voltage : 24Vdc nominal Voltage Range : 11~28.8Vdc Protection : Output Current Limit (Min 1.5A) Reverse Polarity Protection
Power Dissipation	120mA typical @ 24Vdc
Current for I/O Module	1.5A@5Vdc
Isolation	System power to internal logic : Non-isolation System power to I/O driver : Isolation
Field Power	Supply voltage : 24Vdc nominal Supply voltage range : 11~28.8Vdc
Current in Jumper Contacts	DC 10A Max.
Weight	250g
Module Size	54mm x 99mm x 70mm
Environment Condition	Refer to " Environment Specification"(page : 1-191)

Network Adapter

LED Indicator

MOD : Module Status LED

Status	LED is	To indicate
No Power	Off	No power is supplied to the unit.
Device Operational	Green	The unit is operating in normal condition.
Device in Standby	Flashing Green	The EEPROM parameter is not initialized yet. Serial Number is zero value (0x00000000)

NET : Network Status LED

Status	LED is	To indicate
Init	Off	No Communication
Communicaion	Green	Normal Communication
No Communication	Red	Communication Disconnection

ERROR : Error Status LED

Status	LED is	To indicate
No Error	Off	
Invalid Configuration	Flashing Red	Configuration is not matched between the IO configuration from the master and the real IO configuration.

IOS LED : Expansion Status LED

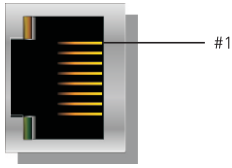
Status	LED is	To indicate
Not Powered Not Expansion Module	Off	Device has no expansion module or may not be powered
Fn-Bus On-line, Do not Exchanging I/O	Flashing Green	Rbus is normal but does not exchanging I/O data. (Passed the expansion module configuration)
Fn-Bus Connection, Run Exchanging I/O	Green	Exchanging I/O data
Fn-Bus Connection Fault during Exchanging I/O	Flashing Red	One or more expansion module occurred in fault state. - Changed expansion module configuration. - Rbus communication failure.
Expansion Configuration Failed	Red	Failed to initialize expansion module - Detected invalid expansion module ID. - Overflowed Input/Output Size - Too many expansion module - Initial protocol failure - Mismatch vendor code between adapter and expansion module

Field Power : Field Power Status LED

Status	LED is	To indicate
Not Supplied Field Power	Off	Not supplied 24Vdc field power, 5Vdc system power.
Supplied Field Power	Green	Supplied 24Vdc field power, 5Vdc system power.

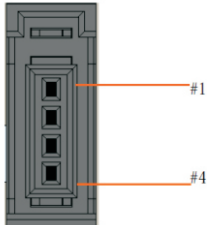
Electrical Interface

RJ-45 Socket



RJ-45	Signal Name	Description
1	TD+	Transmit +
2	TD-	Transmit -
3	RD+	Receive +
4	-	
5	-	
6	RD-	Receive -
7	-	
8	-	
Case	Shield	

RS232 Port for MODBUS/RTU, Touch Panel or IO Guide



RS232 (37204-62A3-004PL/3M)		
Pin#	Signal Name	Description
1	Reserved	-
2	TXD	RS232 TXD
3	RXD	RS232 RXD
4	GND	RS232 GND

Dip Switch



DIP Pole#	Description	
1	Devname bit#0	Device Name ex) na9287-xx Min. 0 ~ Max. 99
2	Devname bit#1	
3	Devname bit#2	
4	Devname bit#3	
5	Devname bit#4	
6	Devname bit#5	
7	Devname bit#6	
8	Devname	Flash memory saved Device name use
9	= ON : 100Mbps fix, off : autonegotiation	
10	= ON : Firmware upgrade	