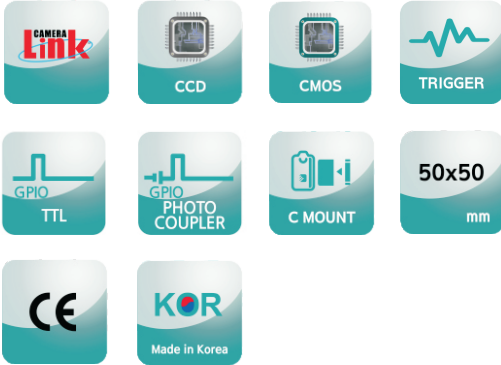


Cameralink Cameras

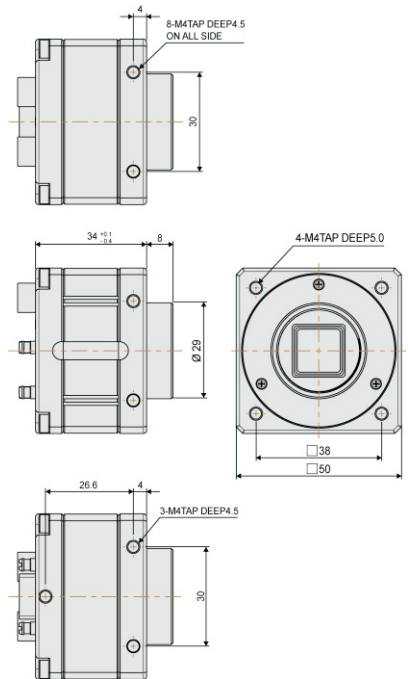
2, 4, 25Mega Pixel



Key Features

- High resolution CCD/ CMOS Cameralink Camera
- Higher frame rates with AOI
- Standard cameralink interface
- Trigger input range : +2.7V~3.3V(TTL), +3.3V~24V(Photo coupler)

Dimension (Unit : mm)



Pin map

6pin Connector (2M, 4M)

Pin No.	Name	IN/OUT	Description
1	PWR	IN	10.8V~13.2V Input Range
2	PWR	IN	10.8V~13.2V Input Range
3	GPL_TTL	IN	Trigger Input
4	GPO_TTL	OUT	Strobe Output
5	GND	IN	Power GND
6	GND	IN	Power GND

6pin Connector (25M)

Pin No.	Name	IN/OUT	Description
1	PWR	IN	10.8V~26.4V Input Range
2	GPIO1	IN/OUT	Line5
3	GPIO2	IN/OUT	Line6
4	GND	IN	I/O GND
5	NC	-	-
6	GND	IN	Power GND

Download (File name)

ex) SDK download:

CREVIS Site ▶ Search window ▶

CL-Installation Guide : [cameralink_manual.zip](#)

Camfile : [cameralink_camfile.zip](#)

CamguideCL : [camguideCL.zip](#)

Model (Mono)	HV-M250C	HV-M400C
(Color)	HV-K250C	HV-K400C
Sensor size	2/3"	1"
Image sensor	CMOS	CMOS
Resolution	2048 x 1088	2048 x 2048
Pixel size (μm)	5.5 x 5.5	5.5 x 5.5
Frame Rate (Max.)	340fps	180fps
Scanning method	Vertical, Horizontal	
Synchronization	Internal (Freerun) or External (CC 1, Circular or Software)	
Trigger modes	Timed, Trigger width	
Shutter	Global	
Shutter speed	10μs~1/Acquisition Frame Rate	
Pixel data formats	Mono 8/10 Bayer 8/10	
Gain	6dB ~ 42dB	
Gamma / LUT	LUT (10bit to 10bit)	
Interface	Mini CameraLink™, PoCL	
Lens mount	C mount	
CameraLink pixel freq.	2,3,4,8Tap : 85MHz 10Tap : 80MHz	
S/N ratio	36dB	
Weight	< 142g	
Dimension	50mm x 50mm x 34mm	
Temperature	0℃ ~ 40℃ (Operating) / -5℃ ~ 45℃ (with <20~80% RH) (Storage)	
Vibration / Shock	IEC 60068-2-6;98m/s ² (10G) / IEC 60068-2-27;196m/s ² (20G)	
Power consumption	< 5.0W at 12VDC ± 20%	< 5.5W at 12VDC ± 20%
Conformity	CE, RoHS, WEEE	
Warranty	3 years	

Model	HC-F251M-31
Sensor	GMAX0505 25M
Sensor size	1.1"
Pixel size (μm)	2.5 x 2.5
Resolution	5120 x 5120
CameraLink Pixel Freq.	2, 3, 4, 8, 10Tap : 85MHz
Frame Rate (Max.)	31.7fps
Color / Mono	Mono Chrome
Scanning method	Full / Single ROI / Multi ROI / Reverse(X,Y,All) / Decimation Vertical
Synchronization	Internal(Freerun), External(CC1 ~ CC4 or Circular), Software trigger via PC
Trigger modes	Fixed shutter, Pulse width shutter
Shutter	Global Shutter
Shutter speed	1 μs ~ 3sec (ExposureOffset : 별도)
Gain	Digital : 0dB ~ 12dB (1x ~ 4x)
Black level	Analog : 0 ~ 2047 / Digital : 0 ~ 1023 (10bit)
Gamma / LUT	Gamma Correction(0 ~ 3.999) / Adjustable LUT (10bit to 10bit)
Interface	CameraLink x2 (PoCL support)
Pixel data formats	Mono8
Data Output Format	AoP, DoIP, Intensity(S0), 0 degree, 45 degree, 90 degree, 135 degree
SNR	37dB
Function control	GainAuto, ExposureAuto, Acquisition Frame Rate(Adjustable), DefectPixelCorrection, NoiseReduction, Shading Correction(FFC, Under 8tap)
Lens mount	C mount
Power requirements	DC(12V ~ 24V \pm 10%) or PoCL
Consumption	< 6.0W
Weight	142g
Dimension	50 x 50 x 33.3 mm (Without Mount, Connector)
Temperature	0 $^{\circ}\text{C}$ ~ +40 $^{\circ}\text{C}$ / -5 $^{\circ}\text{C}$ ~ +45 $^{\circ}\text{C}$ (with < 20~80% RH)
Vibration / Shock	98m/s ² (10G) / 196m/s ² (20.0G)
Standard compliancy	CE (EN61326-1; 2013; Class A)
Conformity	RoHS, WEEE, CE, UL
Warranty	3 years

Model	HC-F251K-31
Sensor	GMAX0505 25M
Sensor size	1.1"
Pixel size (μm)	2.5 x 2.5
Resolution	5120 x 5120
CameraLink Pixel Freq.	2, 3, 4, 8, 10Tap : 85MHz
Frame Rate (Max.)	31.7fps
Color / Mono	Color
Scanning method	Full / Single ROI / Multi ROI / Reverse(X,Y,All) / Decimation Vertical
Synchronization	Internal(Freerun), External(CC1 ~ CC4 or Circular), Software trigger via PC
Trigger modes	Fixed shutter, Pulse width shutter
Shutter	Global Shutter
Shutter speed	1us ~ 3sec (ExposureOffset : 별도)
Gain	Digital : 0dB ~ 12dB (1x ~ 4x)
Black level	Analog : 0 ~ 2047 / Digital : 0 ~ 1023 (10bit)
Gamma / LUT	Gamma Correction(0 ~ 3.999) / Adjustable LUT (10bit to 10bit)
Interface	CameraLink x2 (PoCL support)
Pixel data formats	Bayer8
Data Output Format	AoP, DoIP, Intensity(S0), 0 degree, 45 degree, 90 degree, 135 degree
SNR	37dB
Function control	GainAuto, ExposureAuto, Acquisition Frame Rate(Adjustable), DefectPixelCorrection, NoiseReduction, Shading Correction(FFC, Under 8tap)
Lens mount	C mount
Power requirements	DC(12V ~ 24V ± 10%) or PoCL
Consumption	< 6.0W
Weight	142g
Dimension	50 x 50 x 33.3 mm (Without Mount, Connector)
Temperature	0℃ ~ +40℃ / -5℃ ~ +45℃ (with < 20~80% RH)
Vibration / Shock	98m/s ² (10G) / 196m/s ² (20.0G)
Standard compliancy	CE (EN61326-1; 2013; Class A)
Conformity	RoHS, WEEE, CE, UL
Warranty	3 years