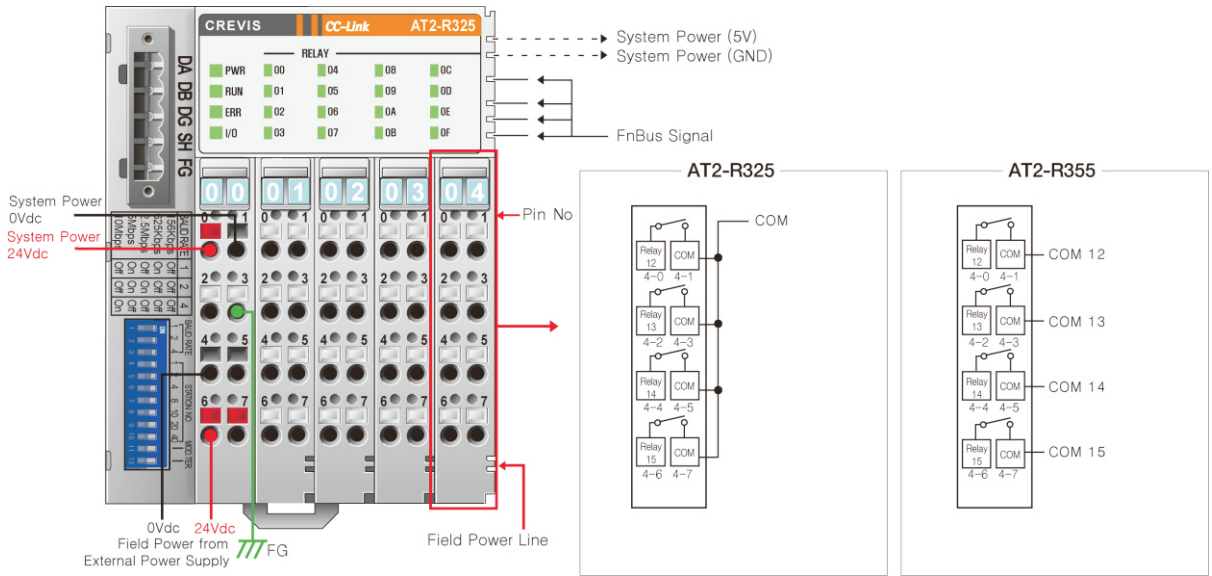


AT2-R325, AT2-R355

CC-LINK, RTB, 16 Points, Relay Output 250Vdc/2A, 24Vdc/2A



Item	AT2-R325				AT2-R355			
Interface Specification								
Number of Output	16 Points							
Indicates	1 LED/1Point							
Relay Type	From Am Normally Open / Single Pole, Single Throw							
Output Rating	2A@5~28.8Vdc / 0.8A@48Vdc 0.5A@110Vdc / 2A@250Vac							
Min. Load	100uA, 100mVdc/Point							
Max. On-State Voltage Drop	0.5V@2.0A, Resistive Load, 24Vdc				0.5V@2.0A			
Output Delay Time	On to Off : Max. 10ms / Off to On : Max. 10ms							
Initial Contact Resistance	30mΩ							
Expected Contact Life	300K Cycle Resistive, 100K cycle Inductive							
Common Type	4 Point / 1 COM (Single Common)				1 Point / 1 COM (Single Common)			
Isolation	I/O to Logic : Relay Coil / Contact Isolation 1250Vrms tested							
General Specification								
Power Dissipation	Max. 145mA @5.0Vdc							
Isolation	CC-Link to internal logic : Non-isolation / Internal logic to I/O driver : Isolation							
Field Power	Supply Voltage : 24Vdc nominal / Supply Voltage range : 11~28.8Vdc							
Field Power Current	Max. 6A@24Vdc							
Weight	Max. 340g							
Module Size	83mm x 99mm x 70mm							
Environment Condition	Refer to " Environment Specification"(page : 2-32)							
	Pin No.	Description	Pin No.	Description	Pin No.	Description	Pin No.	Description
	1-0	Relay Output 0	3-0	Relay Output 8	1-0	Relay Output 0	3-0	Relay Output 8
	1-1	COM 0	3-1	COM 2	1-1	COM 0	3-1	COM 8
	1-2	Relay Output 1	3-2	Relay Output 9	1-2	Relay Output 1	3-2	Relay Output 9
	1-3	COM 0	3-3	COM 2	1-3	COM 1	3-3	COM 9
	1-4	Relay Output 2	3-4	Relay Output 10	1-4	Relay Output 2	3-4	Relay Output 10
	1-5	COM 0	3-5	COM 2	1-5	COM 2	3-5	COM 10
	1-6	Relay Output 3	3-6	Relay Output 11	1-6	Relay Output 3	3-6	Relay Output 11
	1-7	COM 0	3-7	COM 2	1-7	COM 3	3-7	COM 11
	2-0	Relay Output 4	4-0	Relay Output 12	2-0	Relay Output 4	4-0	Relay Output 12
	2-1	COM 1	4-1	COM 3	2-1	COM 4	4-1	COM 12
	2-2	Relay Output 5	4-2	Relay Output 13	2-2	Relay Output 5	4-2	Relay Output 13
	2-3	COM 1	4-3	COM 3	2-3	COM 5	4-3	COM 13
	2-4	Relay Output 6	4-4	Relay Output 14	2-4	Relay Output 6	4-4	Relay Output 14
	2-5	COM 1	4-5	COM 3	2-5	COM 6	4-5	COM 14
	2-6	Relay Output 7	4-6	Relay Output 15	2-6	Relay Output 7	4-6	Relay Output 15
	2-7	COM 1	4-7	COM 3	2-7	COM 7	4-7	COM 15