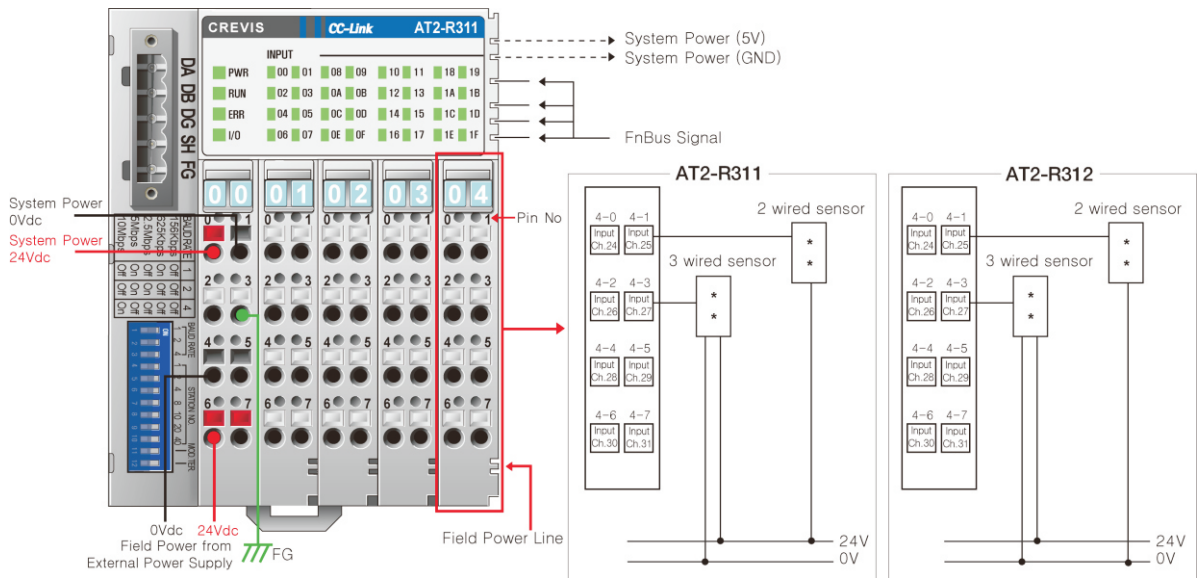


# AT2-R311, AT2-R312

## CC-LINK, RTB, 32 Points, Sink/Source Input 24Vdc



Item	AT2-R311	AT2-R312	
<b>Interface Specification</b>			
Number of Input	32 Points, Sink Type(GND Common internally shorted)	32 Points, Source Type(24V Power internally shorted)	
Indicates	1 LED/1Point		
Input Voltage	Nominal 24Vdc, 11~28.8Vdc		
Max. Off-state Voltage	5Vdc		
Min. On-state Voltage	9Vdc		
Input Signal Delay	<0.5msec		
Input Impedance	About 5.4KΩ		
<b>General Specification</b>			
Power Dissipation	Max. 145mA @5.0Vdc		
Isolation	DeviceNet to internal logic : Non-isolation Internal logic to I/O driver : Isolation		
Field Power	Supply Voltage : 24Vdc nominal Supply Voltage range : 11~28.8Vdc		
Field Power Current	Max. 6A@24Vdc		
Weight	Max. 340g		
Module Size	83mm x 99mm x 70mm		
Environment Condition	Refer to " Environment Specification"(page : 2-32)		
Pin No.	Description	Pin No.	Description
1-0	Input Channel 0	3-0	Input Channel 16
1-1	Input Channel 1	3-1	Input Channel 17
1-2	Input Channel 2	3-2	Input Channel 18
1-3	Input Channel 3	3-3	Input Channel 19
1-4	Input Channel 4	3-4	Input Channel 20
1-5	Input Channel 5	3-5	Input Channel 21
1-6	Input Channel 6	3-6	Input Channel 22
1-7	Input Channel 7	3-7	Input Channel 23
2-0	Input Channel 8	4-0	Input Channel 24
2-1	Input Channel 9	4-1	Input Channel 25
2-2	Input Channel 10	4-2	Input Channel 26
2-3	Input Channel 11	4-3	Input Channel 27
2-4	Input Channel 12	4-4	Input Channel 28
2-5	Input Channel 13	4-5	Input Channel 29
2-6	Input Channel 14	4-6	Input Channel 30
2-7	Input Channel 15	4-7	Input Channel 31
-	-	-	-
-	-	-	-
-	-	-	-
-	-	-	-