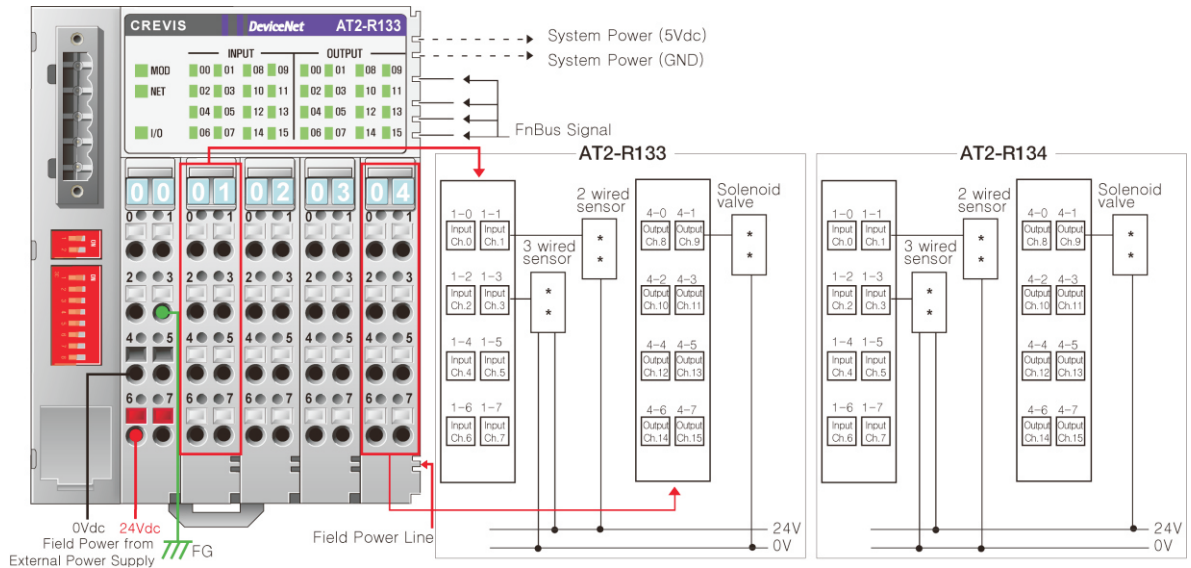


AT2-R133, AT2-R134

DeviceNet, RTB, 16 Points, Sink/Source, Input/Output 24Vdc, 24Vdc/0.5A
 16 Points, Source/Sink, Input/Output 24Vdc, 24Vdc/0.5A



FniO A-Series, DeviceNet

Item	AT2-R133	AT2-R134	
Interface Specification			
Number of Input	16 Points, Sink Type(GND Common internally shorted)	16 Points, Source Type(24V Power internally shorted)	
Indicates	1 LED/1Point		
Input Voltage	Nominal 24Vdc, 11~28.8Vdc		
Max. Off-State Voltage	5Vdc		
Max. On-State Voltage	9Vdc		
Input Signal Delay	<0.5msec		
Input Impedance	About 5.4KΩ		
Interface Specification			
Number of Output	16 Points, Source Type(24V Power internally shorted, like to TR's PNP)	16 Points, Sink Type(GND Common internally shorted)	
Indicates	1 LED / 1Point		
Output Load Current	Max. 0.5A/1pt, 8A/All		
Output Voltage	Nominal 24Vdc, 11~28.8Vdc available	Nominal 0Vdc, 11~28.8Vdc available	
Drop Voltage (ON-state)	Max. 0.3Vdc		
Leakage Current (OFF-state)	Max. 50uA		
Output Signal Delay	<0.3msec		
Protection	Short protection, Over Temperature protection, Over Current Limit		
General Specification			
Power Dissipation	Max. 110mA @5.0Vdc		
Isolation	DeviceNet to internal logic : Non-isolation Internal logic to I/O driver : Isolation		
Field Power	Supply Voltage : 24Vdc nominal Supply Voltage range : 11~28.8Vdc		
Field Power Current	Max. 6A@24Vdc		
Weight	Max. 340g		
Module Size	83mm x 99mm x 70mm		
Environment Condition	Refer to " Environment Specification" (page : 2-32)		
Pin No.	Description	Pin No.	Description
1-0	Input Channel 0	3-0	Output Channel 0
1-1	Input Channel 1	3-1	Output Channel 1
1-2	Input Channel 2	3-2	Output Channel 2
1-3	Input Channel 3	3-3	Output Channel 3
1-4	Input Channel 4	3-4	Output Channel 4
1-5	Input Channel 5	3-5	Output Channel 5
1-6	Input Channel 6	3-6	Output Channel 6
1-7	Input Channel 7	3-7	Output Channel 7
2-0	Input Channel 8	4-0	Output Channel 8
...	Input Channel 9
2-7	Input Channel 15	4-7	Output Channel 15