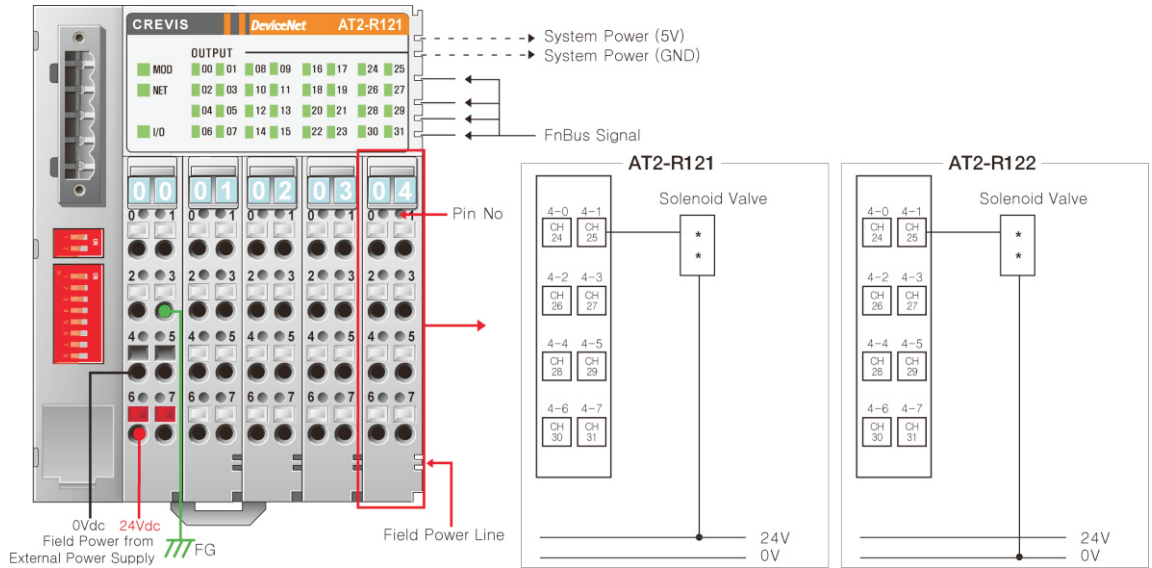


# AT2-R121, AT2-R122

DeviceNet, RTB, 32 Points, Sink/Source Output 24Vdc/0.5A



Item	AT2-R121	AT2-R122	
<b>Interface Specification</b>			
Number of Output	32 Points, Sink Type(GND Common internally shorted, like to TR's	32 Points, Source Type(24V Power internally shorted, like to TR's PNP)	
Indicates	1 LED/1Point		
Output Load Current	Max. 0.5A/1pt, 8A/All		
Output Voltage	Nominal 0Vdc, 11~28.8Vdc available	Nominal 24Vdc, 11~28.8Vdc available	
Drop Voltage (ON-state)	Max. 0.3Vdc		
Leakage Current (OFF-state)	Max. 50uA		
Output Signal Delay	<0.3msec		
Protection	Short protection, Over Temperature protection, Over Current Limit		
<b>General Specification</b>			
Power Dissipation	Max. 110mA @5.0Vdc		
Isolation	DeviceNet to internal logic : Non-isolation Internal logic to I/O driver : Isolation		
Field Power	Supply Voltage : 24Vdc nominal Supply Voltage range : 11~28.8Vdc		
Field Power Current	Max. 6A@24Vdc		
Weight	Max. 340g		
Module Size	83mm x 99mm x 70mm		
Environment Condition	Refer to " Environment Specification"(page : 2-32)		
Pin No.	Description	Pin No.	Description
1-0	Output Channel 0	3-0	Output Channel 16
1-1	Output Channel 1	3-1	Output Channel 17
1-2	Output Channel 2	3-2	Output Channel 18
1-3	Output Channel 3	3-3	Output Channel 19
1-4	Output Channel 4	3-4	Output Channel 20
1-5	Output Channel 5	3-5	Output Channel 21
1-6	Output Channel 6	3-6	Output Channel 22
1-7	Output Channel 7	3-7	Output Channel 23
2-0	Output Channel 8	4-0	Output Channel 24
2-1	Output Channel 9	4-1	Output Channel 25
2-2	Output Channel 10	4-2	Output Channel 26
2-3	Output Channel 11	4-3	Output Channel 27
2-4	Output Channel 12	4-4	Output Channel 28
2-5	Output Channel 13	4-5	Output Channel 29
2-6	Output Channel 14	4-6	Output Channel 30
2-7	Output Channel 15	4-7	Output Channel 31
-	-	-	-
-	-	-	-
-	-	-	-